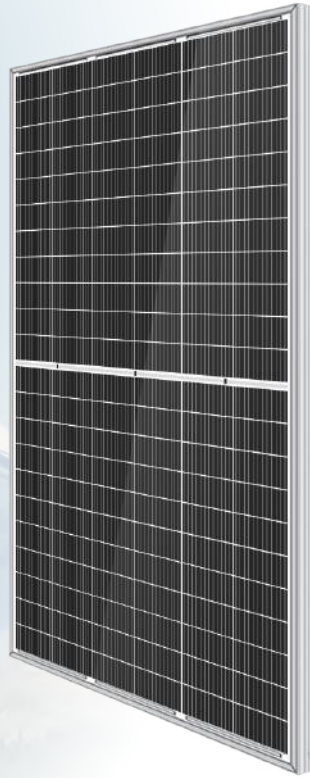


IE210*210/M/66/MH

Rated Power 650-665W



MBB Cell
New circuit design, lower internal current, lower internal resistance loss.



Low Light Features
Higher performance under low light environment.



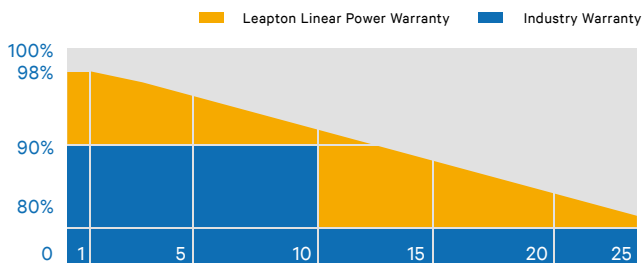
Higher Output Power
Module adopts 144 pcs of 182*182mm half cells, the maximum power can reach 550W.

15 YEARS

Quality Warranty

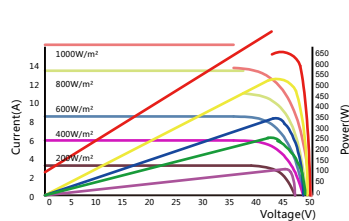
25 YEARS

Power Warranty

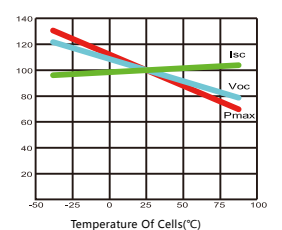


CHARACTERISTICS

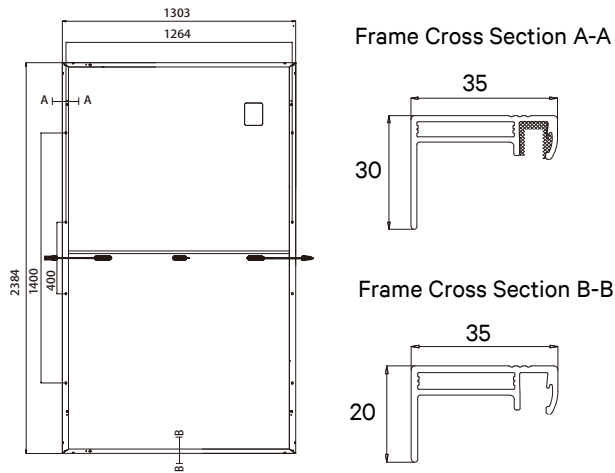
IE210*210/M/66/MH/650W



IE210*210/M/66/MH/650W



MECHANICAL DIAGRAMS



SPECIFICATIONS

| | |
|------------------------|--|
| Weight | 34kg |
| Dimensions | 2384mm*1303mm*35mm |
| Cell Dimensions | 210*210mm |
| Cell Amount | 66*2 pcs |
| Maximum System Voltage | 1500V |
| Junction Box | IP68 |
| Frame | Aluminum Alloy |
| Cable | 4mm ² , Landscape: N 1500mm/P 1500mm Portrait: N 280mm/P 280mm |
| Connector | MC4 compatible |
| Application Level | Class A |

ELECTRICAL PARAMETERS AT STC

| | | | | |
|-----------------------|--------|--------|--------|--------|
| Power | 650W | 655W | 660W | 665W |
| Open Circuit Voltage | 45.58V | 45.78V | 45.98V | 46.18V |
| Short Circuit Current | 18.16A | 18.21A | 18.26A | 18.31A |
| Maximum Power Voltage | 37.61V | 37.81V | 38.01V | 38.21V |
| Maximum Power Current | 17.28A | 17.32A | 17.36A | 17.40A |
| Module Efficiency | 20.92% | 21.09% | 21.25% | 21.41% |

* Under Standard Test Conditions (STC) of irradiance of 1000 W/m², spectrum AM 1.5 and cell temperature of 25°C.

ELECTRICAL PARAMETERS AT NMOT

| | | | | |
|-----------------------|--------|--------|--------|--------|
| Power | 491W | 495W | 499W | 503W |
| Open Circuit Voltage | 42.30V | 42.48V | 42.67V | 42.86V |
| Short Circuit Current | 14.89A | 14.93A | 14.97A | 15.01A |
| Maximum Power Voltage | 34.86V | 35.05V | 35.24V | 35.42V |
| Maximum Power Current | 14.09A | 14.13A | 14.16A | 14.19A |
| Module Efficiency | 15.82% | 15.94% | 16.06% | 16.18% |

* Under Nominal Module Operating Temperature (NMOT), irradiance of 800 W/m², spectrum AM 1.5, ambient temperature 20°C, wind speed 1 m/s.

TEMPERATURE CHARACTERISTICS

| | | | |
|-------------------------|-----------|--------------------------|-----------|
| NMOT | 41±3°C | Temp Coefficient of ISC | +0.05%/°C |
| Temp Coefficient of VOC | -0.28%/°C | Temp Coefficient of Pmax | -0.36%/°C |

PACKING CONFIGURATION

| | | | |
|---------------------|--|----------------------|------------|
| Modules/Pallet | 31 Pieces | Modules/40'Container | 558 Pieces |
| Packing Description | 18 Pallets, Total=(31+31)x9=558 Pieces | | |

MAXIMUM RATING

| | | | |
|---------------------|---------------|-----------------------|-------------|
| Output Tolerance | 0~+5W | Operating Temperature | -40°C~+85°C |
| Wind Load/Snow Load | 2400pa/5400pa | Fuse Current | 30A |